

# PROMASTER<sup>®</sup>

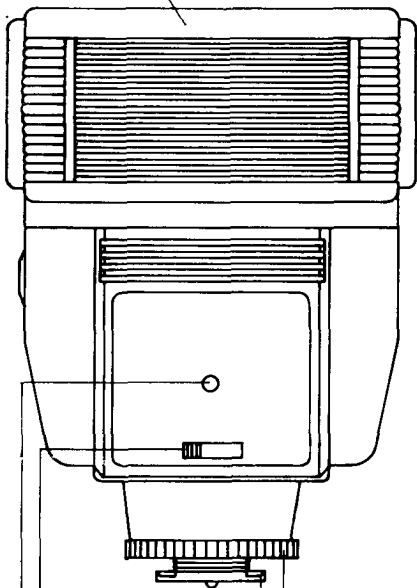
## FT 1700

OPERATING INSTRUCTIONS

**AUTOMATIC FLASH**

**BOUNCE • THYRISTOR**

BOUNCE  
FLASH HEAD



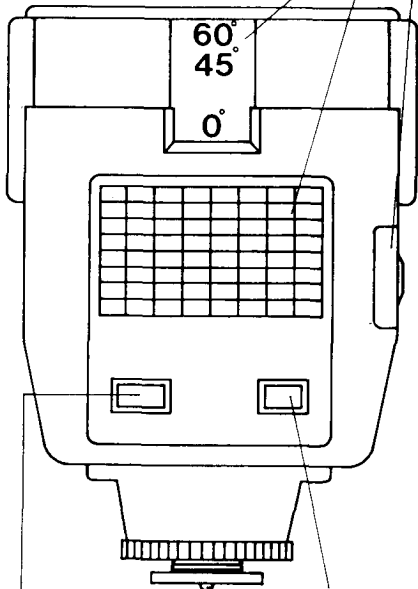
AUTO/MANUAL  
SELECTOR

LOCK RING

COMPUTER  
SENSOR

MOUNTING  
FOOT

BATTERY COMPARTMENT COVER  
EXPOSURE CALCULATOR CHART  
BOUNCE ANGLE INDICATOR

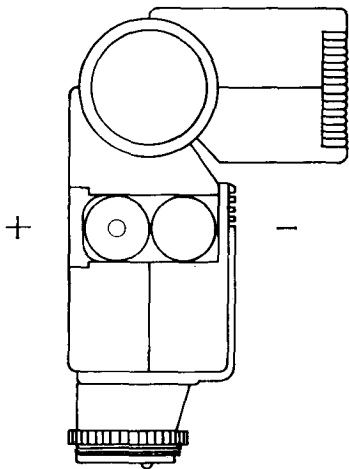


READY INDICATOR LAMP/  
MANUAL TEST BUTTON

ON-OFF SWITCH

## BATTERY OPERATION

1. Open the battery Compartment cover.
  2. Insert two 1.5V penlight batteries following the (+) (-) signs as indicated inside and replace the cover.
- FOR BEST RESULTS USE ALKALINE BATTERIES
  - USE FRESH BATTERIES REGULARLY
  - THE BATTERIES SHOULD BE INSERTED IN CORRECT POSITION



## **ATTACHING FLASH UNIT TO YOUR CAMERA**

- i. Loosen the lock ring, insert the flash unit into your camera's accessory shoe, then tighten the flash unit with the lock ring.
- ii. Slide the ON-OFF switch to the ON position (A red mark will show) and you will hear a humming sound indicating the flash unit is operating. In a few seconds, the ready indicator lamp lights up, showing that the flash unit is ready to flash.
- iii. Set the shutter speed of your camera to the proper setting for electronic flash use or 1/60 second.  
(Read your camera owner's manual for details on the flash synchronization)

## MANUAL OPERATION

- i. Set the AUTO/MANUAL Selector to white mark.
- ii. Focus on your subject and note the flash-to-subject distance.
- iii. Read the Exposure Calculator chart which determines proper exposure. Example: In case of film speed ASA 100 (DIN 21) and 5.2 meter (17.5 feet) distance, the proper aperture is F 4.



M	1.3	1.9	2.6	3.8	5.2	7.5	10.5	M
FT	4	6	8.5	12.5	17.5	25	35	FT
ASA								DIN
50/64	11	8	5.6	4	2.8	2	1.4	18
100	16	11	8	5.6	4	2.8	2	21
200	22	16	11	8	5.6	4	2.8	24
400		22	16	11	8	5.6	4	27
1000			22	16	11	8	5.6	31

Calculation of F-stop without use of  
EXPOSURE CALCULATOR.

$$\text{F-stop} = \frac{\text{Guide Number (G.N.)}}{\text{Distance}}$$

Guide Number Table:

Film Speed (ASA)	25	50	100	200	400	1000
Guide Number (in meter)	10	15	21	30	42	65
Guide Number (in Feet)	35	50	70	100	140	215

## **AUTO OPERATION**

This flash unit has two automatic operation settings designated by the colors, yellow and blue. The yellow setting is for shooting at distance of up to 17.5 feet at F4 (ASA 100/DIN21).

For longer distance, use the blue setting which allows shooting up to 35 feet at F2 (ASA 100/DIN21)

- i. Set the Auto/Manual Selector to yellow or blue mark.
- ii. Read along the yellow or blue line according to your selection at (i), at the row of your film speed (ASA/DIN) find the aperture. Set this aperture on your camera.
- iii. Your flash automatically controls lights output and sets the correct exposures for the subject within the automatic flash range. Once you set the aperture (f-stop) on your camera, there is no need to change it again while taking pictures within the available automatic flash range.



## AUTO OPERATION RANGE

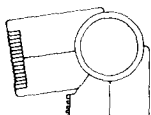
Auto/Manual Selector Position	ASA100	SAS400	Auto Range
Yellow	F4	F8	1-5.2Meter (3-17.5 Feet)
Blue	F2	F4	1.8-10.5Meter (6-35 Feet)

PRINTED IN HONG KONG

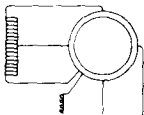
## BOUNCE PHOTOGRAPHY

The convenience of automatic operation can be applied to bounce lighting which involves "Bouncing" the light off a ceiling or other reflective surfaces to obtain soft illumination.

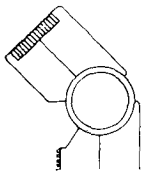
- i. The auto mode can be used for bounce lighting (It is recommended to operate your flash in auto mode for bounce flash)
  - ii. After determining the position of your subject, adjust the bounce angle. The flash head is variable from  $-7^{\circ}$  to  $90^{\circ}$  and there are click stops at  $0^{\circ}$ ,  $45^{\circ}$ ,  $60^{\circ}$ ,  $75^{\circ}$  and  $90^{\circ}$  plus  $-7^{\circ}$  position for straight-on flash parallax correction
- # When using bounce lighting, it is advisable to use a high speed film (ASA400) and set the Auto/Manual Switch to the blue mark.



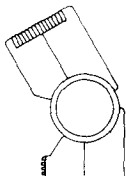
$-7^\circ$



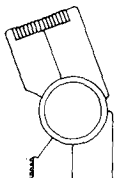
$0^\circ$



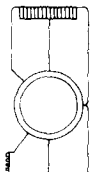
$45^\circ$



$60^\circ$



$75^\circ$



$90^\circ$

## SPECIFICATIONS:

- Power Source:** Two 1.5V size AA ALKALINE Batteries
- Recycling Time:** Automatic: 0.3-10 sec  
Manual: 6-10 sec
- Battery Life:** Approx. 100-500 Flashes  
(Depend on the type of batteries)
- Flash Duration:** Auto: 1/30,000 to 1/1,000 sec  
Manual: 1/1,000 sec
- Angle of Illumination:** Horizontal: 60°  
Vertical: 45°
- Color Temperature:** Same as Sunlight During Day
- Guide Number:** 21 ASA100 in meter  
70 DIN21 in feet
- Output:** 900 BCPS
- Sensor Measuring Angle:** Approx. 20°
- Auto Operation Range:** (ASA100/DIN21)  
Yellow mode F4 3-17.5 Feet  
Blue mode F2 6-35 Feet
- Bounce Angle:** -7° to 90° (Click Stop: -7°, 45°, 60°, 75° and 90°)
- Weight (without batteries):** 5 oz.
- Size:** 69 (w) x 35 (D) x 125 (H)mm
- Specifications subject to change without notice.